

**Class 300 • Union Bonnet • Rising Stem • Stainless Steel Seats • Threaded**

## Figure 2280UJ

### Size Range:

¼ through 3 inches

### Working Pressures

#### Non-Shock:

300 psi Steam, Basic Rating

1000 psi Cold Working Pressure

¼" to 2" - (6mm - 50mm)

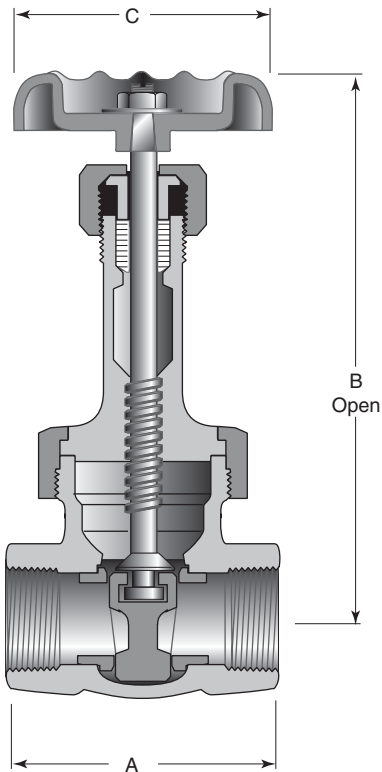
600 psi Cold Working Pressure

2 ½" to 3" - (65mm-80mm)

## Features

- Rising Stem
- Union Bonnet
- Bolted Bonnet, 2 ½" - 3"
- Solid Wedge Disc
- Threaded Ends
- Full Ports
- Back Seat
- Stainless Steel Seat Rings
- Recommended for WOG
- MSS Specification SP-80

For more detailed features, refer to Page 8.



## Principal Parts & Materials

| Part          | Sizes | Material        | ASTM              |
|---------------|-------|-----------------|-------------------|
| Body & bonnet | All   | Bronze          | B61 alloy C92200  |
| Disc          | All   | Bronze          | B61 alloy C92200  |
| Seat ring     | All   | Stainless Steel | A276 S41000       |
| Stem          | All   | Bronze          | B371 alloy C69400 |

## Dimensions and Weights

Inches (millimeters) - pounds (kilograms)

|      | ¼<br>(6)       | ⅜<br>(10)      | ½<br>(15)      | ¾<br>(20)      | 1<br>(25)      | 1 ¼<br>(32)    | 1 ½<br>(40)    | 2<br>(50)       | 2 ½<br>(65)     | 3<br>(80)        |
|------|----------------|----------------|----------------|----------------|----------------|----------------|----------------|-----------------|-----------------|------------------|
| A    | 2.03<br>(52)   | 2.13<br>(54)   | 2.42<br>(61)   | 2.61<br>(86)   | 3.06<br>(78)   | 3.35<br>(65)   | 3.69<br>(94)   | 3.96<br>(101)   | 4.60<br>(117)   | 5.63<br>(143)    |
| B    | 4.86<br>(123)  | 4.86<br>(123)  | 5.40<br>(137)  | 6.60<br>(168)  | 7.91<br>(201)  | 9.32<br>(237)  | 10.45<br>(265) | 13.38<br>(340)  | 14.12<br>(359)  | 16.78<br>(426)   |
| C    | 2.13<br>(54)   | 2.13<br>(54)   | 2.44<br>(62)   | 2.71<br>(69)   | 3.03<br>(77)   | 3.03<br>(77)   | 3.72<br>(95)   | 4.72<br>(120)   | 5.28<br>(134)   | 7.00<br>(178)    |
| WTS. | 0.90<br>(0.41) | 0.90<br>(0.41) | 1.40<br>(0.63) | 2.10<br>(0.95) | 3.30<br>(1.49) | 4.80<br>(2.17) | 6.10<br>(2.76) | 10.40<br>(4.69) | 20.50<br>(9.31) | 44.00<br>(19.98) |