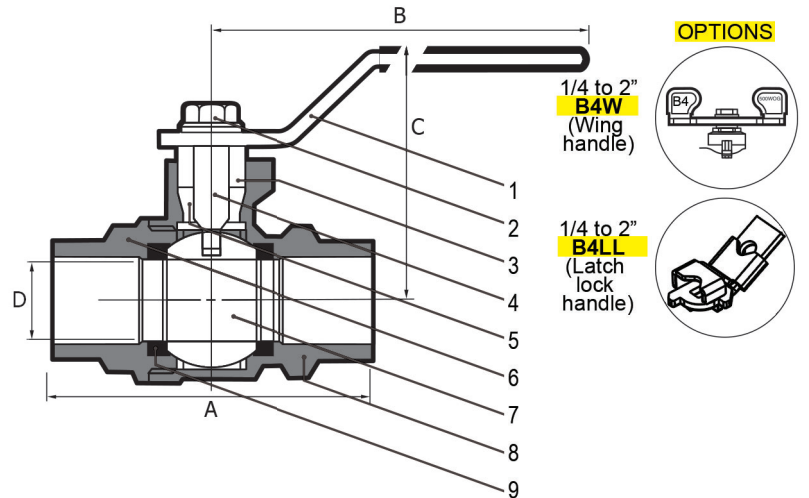


# B Series Forged Brass 600 WOG Ball Valves

## B-4

**B-4-SS-LL**  
(SS Trim) is available for 1/4" to 2"

## 5.6



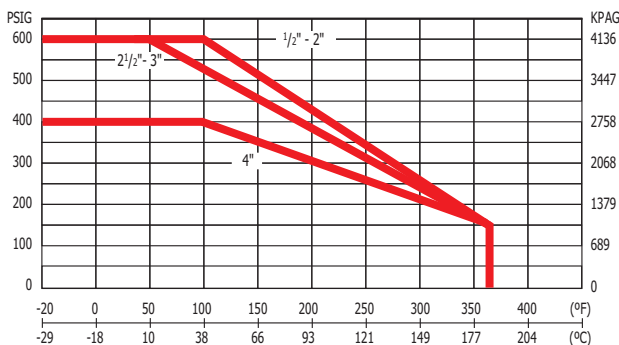
- Forged 2 piece construction
- Full port
- ANSI B16.22 solder ends (CXC)
- Blowout-proof stem
- Chrome plated ball
- Adjustable packing gland
- Class 150, 600 WOG

**B-4-SS-LL** (SS Trim) is available from 1/4" to 2"

B-4 PART/MATERIAL			
NO.	PART NAME	B4 MATERIAL	B-4-SS-LL MATERIAL
1	Lever	Steel ASTM A36	AISI 430SS
2	Lever Screw	Steel ASTM A36	AISI 430SS
3	Packing Nut	Brass ASTM B124-C37700	
4	Stem	Brass ASTM B124-C37700	ASTM A276 Type 316SS
5	Packing	PTFE	
6	Cap	Brass ASTM B283-C37700	
7	Ball	Brass ASTM B124-C37700 Chrome Plated	ASTM A276 Type 316SS
8	Body	Brass ASTM B283-C37700	
9	Seats	PTFE	(ASTM A276 Type 316SS)
10	Wing and Latch lock handles	Steel ASTM A36 Zinc Plated	

B-4 DIMENSIONS									
Size	1/2	3/4	1	1 1/4	1 1/2	2	2 1/2	3	4
<b>A</b>	53.5	73	86	99	115	140	169	196	237
mm/in	2.12	2.87	3.38	3.89	4.57	5.51	6.65	7.72	9.33
<b>B</b>	91.5	91.5	126.5	126.5	141.5	141.5	280	280	281
mm/in	3.60	3.60	4.98	4.98	5.57	5.57	11.02	11.02	11.06
<b>C</b>	54	57	65	70	83	90	119	130	143
mm/in	2.12	2.26	2.62	2.83	3.23	3.54	4.69	5.12	5.63
<b>D</b>	15	20	25	32	40	50	65	78	100
mm/in	0.59	0.78	0.98	1.25	1.57	1.96	2.56	3.07	3.94
<b>CV</b>	15	30	60	110	130	360	450	620	1200
<b>Weight</b>	0.45	0.65	1.0	1.5	2.4	3.8	7.5	10.4	17.2
lb/kg	0.21	0.30	0.46	0.69	1.0	1.7	3.4	4.7	7.8

### PRESSURE TEMPERATURE RATING



#### \*NOTES:

- 1) The safe working pressure-temperature rating for a solder joint piping system is dependent not only on valve seat rating but also on the limitations of the solder used for the joints. Refer to ANSI B16-22 - Table I.1 for the Maximum recommended pressure-temperature ratings for solder joints.
- 2) Exercise caution during installation by applying heat away from the valve body. Excessive direct flame may damage body seats and seals.